

LETS MAKE
ZERO-EMISSION REAL

RentalMatch.eu

RentalMatch Green Power
Dealer & Partner of JMG Cranes

Sales & Service Office
Ecologieweg 16
3343 LM Hendrik-Ido-Ambacht - Netherlands
+31 (0) 78 204 92 60
info@rentalmatch.eu

Gijs van de Graaf
+31 651855113

Dick van de Graaf
+31 613214166

Production Plant
Via Sito Nuovo 14
29010 Sarmato (PC) - Italy



vca✓

**RentalMatch**
GREEN POWER

Electric
Pick & Carry
Cranes



MC 45SB (metric)
Max Capacity 4,500 Kg

MC 45SB

- ✓ Radio-remote control on driving, steering, boom movements, Winch and other accessories
- ✓ Front-wheels drive with counter rotation
- ✓ Removable counterweights
- ✓ Hydraulically telescoping Sequential type boom

Options:

- Hydraulic winch
- Hydraulic fly jib
- Bendable manual jib with Manual extension
- Non-marking tires
- Hydraulic forks
- Atex conversions
- Customized painting

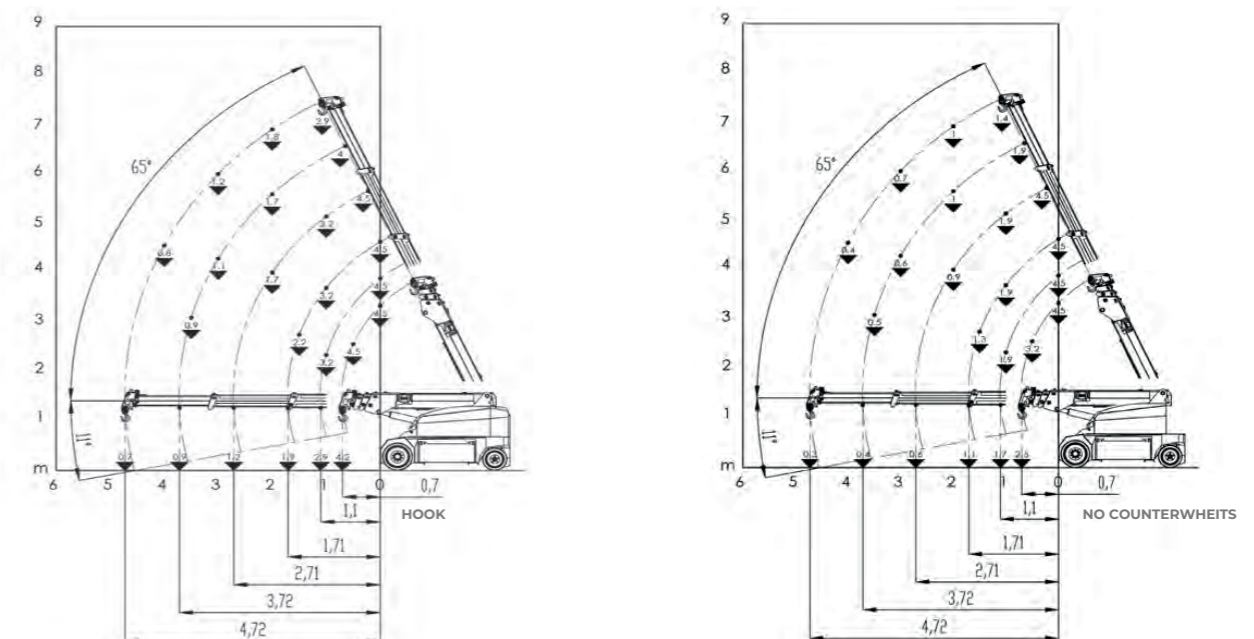


Technical features

Max Capacity kg	4,500	Front-wheels drive. 2 electric motors AC 5 kW 48V Insulation class H	L.M.I. Electronic safe load indicator and tilting moment limiter
		Total Kg. 5,400 Removable counterweight Kg. 1,145	Automatic braking system on all wheels
Dimensions mm	2390x930x1595	48 V - 560 Ah 8 working hours	Fabricated from preformed and welded quality steel plate
		Front nr. 2 cushion 22x9x16" Rear nr. 2 cushion 18x6x12"	+65°/-12°
		Rear Steering angle -90°/+90°	Motor driven pump 9 kW - 48 V AC, Insulation class H

HOOK

Load charts



EU Standards CE

	UNI ISO 4301-2: A1
	2006/42 CE-2014/30 UE-2014/35 UE- 2000/14 e successive modifiche
	EN 13000:2014 ANSI/ASME B30.5-2011 e successive modifiche

Dimensions

