

LETS MAKE
ZERO-EMISSION REAL

RentalMatch.eu

RentalMatch Green Power
Dealer & Partner of JMG Cranes

Sales & Service Office

Ecologieweg 16
3343 LM Hendrik-Ido-Ambacht - Netherlands
+31 (0) 78 204 92 60
info@rentalmatch.eu

Gijs van de Graaf

+31 651855113

Dick van de Graaf

+31 613214166

Production Plant

Via Sito Nuovo 14
29010 Sarmato (PC) - Italy



vca✓

**RentalMatch**
GREEN POWER

Electric
Pick & Carry
Cranes



MC 25S (metric)

Max Capacity 2,500 kg

MC 25S

- ✓ Sequential telescoping boom
- ✓ Front-wheels drive with counter rotation
- ✓ Tilting head 4 positions (-70°/-35°/0°/+10°)
- ✓ Removable counterweight
- ✓ Usb plug
- ✓ Blocks and hooks lodging on board

Optionals:

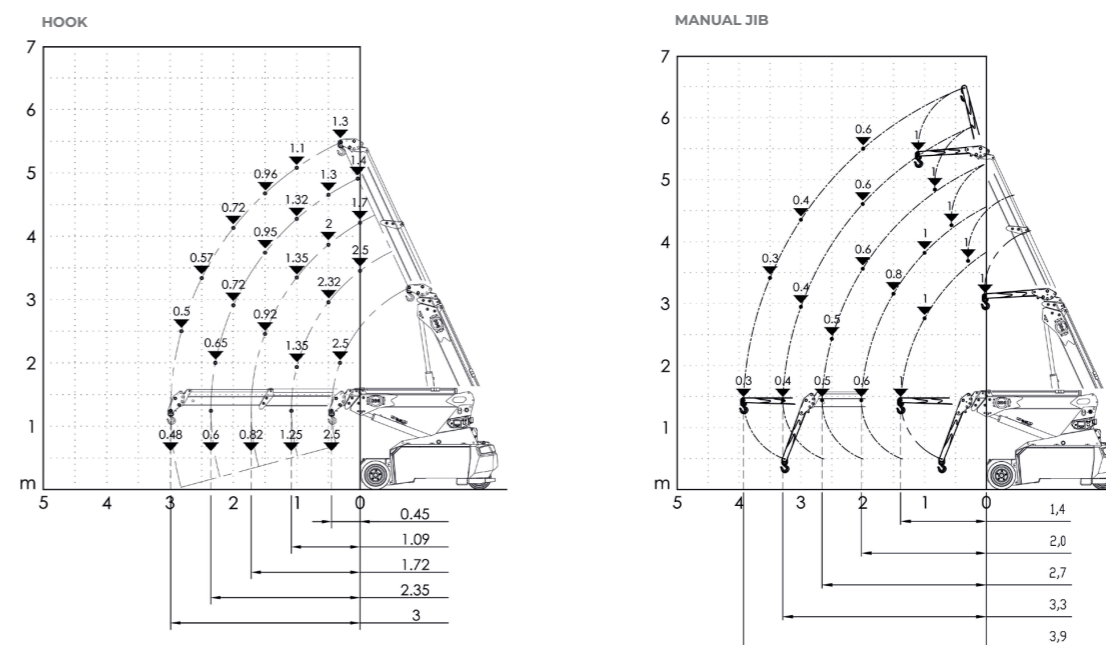
- Hydraulic winch
- Bendable manual extension
- Non-marking tires
- Man bucket
- Atex conversions
- Customized painting
- Tool box



Technical features

Max Capacity kg	2.500	Front-wheels drive. 2 electric motors AC 2 kW 24V Insulation class H	LMI. Electronic safe load indicator and tilting moment limiter
	2190x900x1610	Total Kg. 2.400 Removable counterweight Kg. 750	Automatic braking system on all wheels
Dimensions mm	24 V - 420 Ah 8 working hours	Front nr. 2 superelastic 18x7-8" Rear nr. 2 superelastic 15x4 1/2-8"	Fabricated from preformed and welded quality steel plate
	Rear Steering angle -90°/+90°	+65°/-15°	Motor driven pump 3 kW - 24 V AC, Insulation class H

Load charts



EU Standards CE

	UNI ISO 4030-2: A1
	2006/42/CE - 2000/14/CE - 2014/30 UE - 2014/35/UE - D.Lgs 262/2002 subsequent modifications
	EN 13000:2014 subsequent modifications

Dimensions

